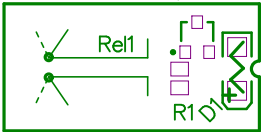
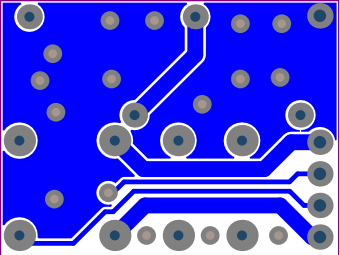
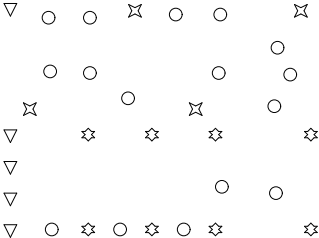
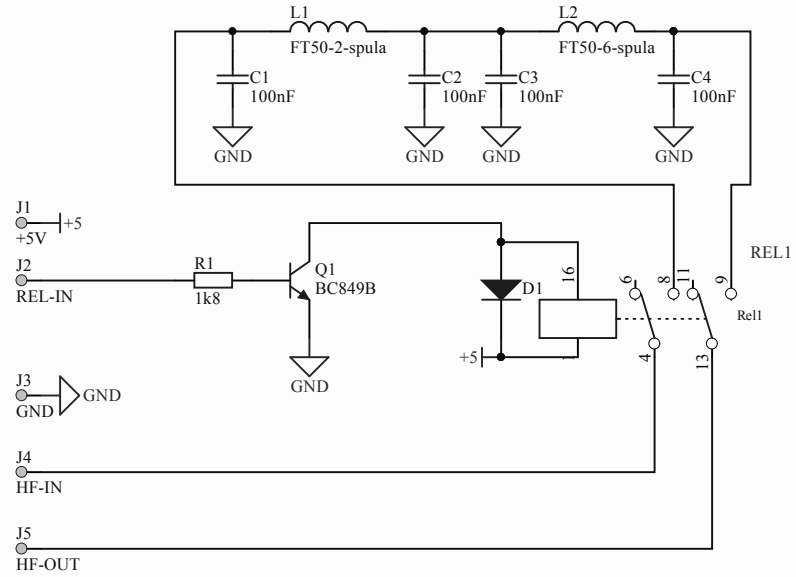


J4
J2
J1
J5









Title		
Size A4	Number	Revision
Date:	19.1.2016	Sheet of
File:	D:\work\...\filt.SchDoc	Drawn By:

Comment	Description	Designator	Footprint	LibRef	Quantity	Value
Cap	Capacitor	C1, C2, C3, C4	c1206	Cap	4	100nF
Diode	Default Diode	D1	3.2X1.6X1.1	Diode	1	
+5V		J1	En_pin_TP	En_pin	1	
REL-IN		J2	En_pin_TP	En_pin	1	
GND		J3	En_pin_TP	En_pin	1	
HF-IN		J4	En_pin_TP	En_pin	1	
HF-OUT		J5	En_pin_TP	En_pin	1	
FT50-2-spula	FT50-2-spula	L1	FT50-2-spula - pokoncna	Inductor	1	10mH
FT50-6-spula	Inductor	L2	FT50-2-spula - pokoncna	Inductor	1	10mH
BC849B	NPN General-purpose Transistor	Q1	SOT23	BC849B	1	
Res2	Resistor	R1	c0805	Res2	1	1k8
5VDC RELAY		Rel1	RELE_5V_A	RELE_	1	