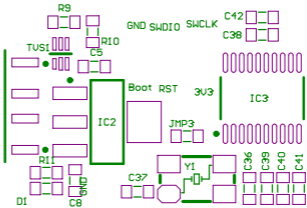






USB1

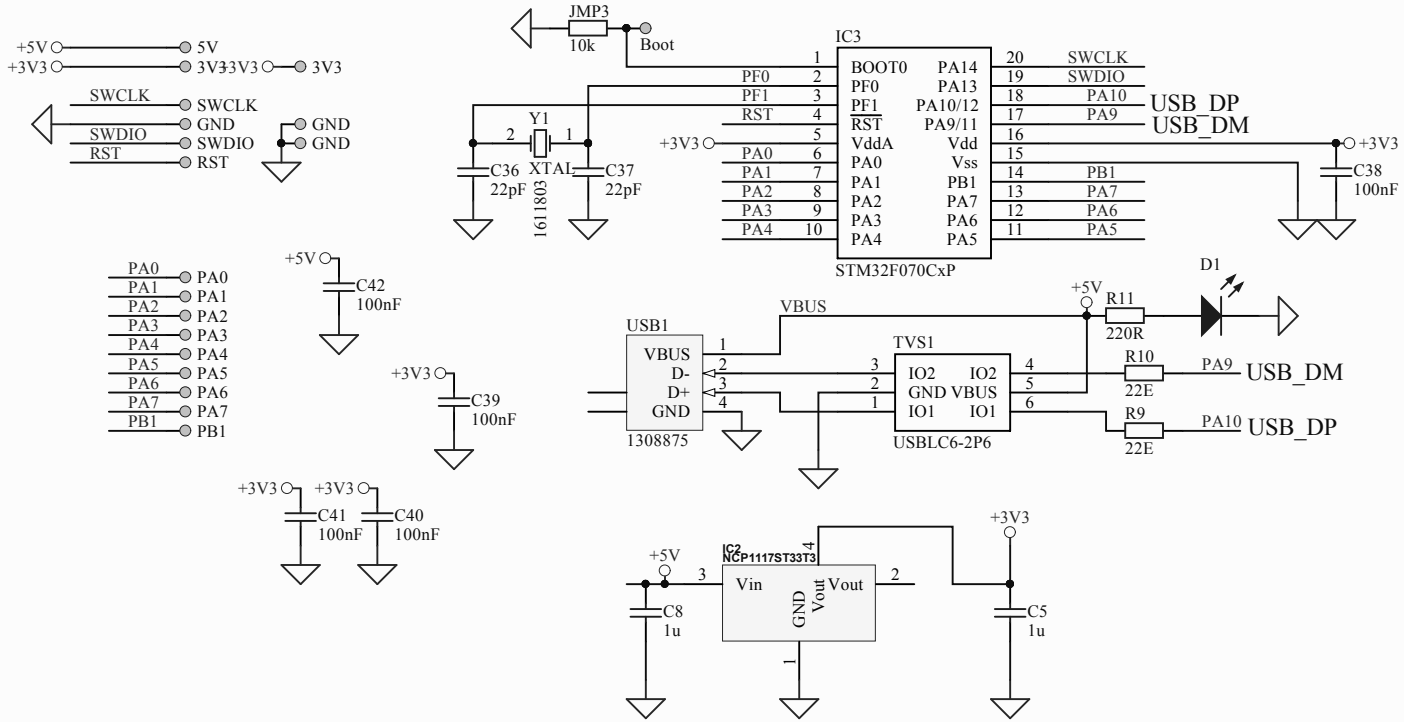


3U3 PA4 PA1 PA5 PA7 PB1

GND PA3 PA2 PA6 PA0 PA5 5U







Title		
Size	Number	Revision
A4		
Date:	3.2.2016	Sheet of
File:	D:\work\STM32F070-minidongle.Sch Drawn By:	

Comment	Description	Designator	Footprint	LibRef	Quantity	Value
		3V3, 3V3, 5V, Boot, GND, GND, GND, PA0, PA1, PA2, PA3, PA4, PA5, PA6, PA7, PB1, RST, SWCLK, SWDIO	En_pin_TP	En_pin	19	
1u	Capacitor	C5, C8	0603	Cap	2	
	Capacitor	C36, C37	0603	Cap	2	22pF
	Capacitor	C38, C39, C40, C41, C42	0603	Cap	5	100nF
LED3	Typical BLUE SiC LED	D1	0603	LED3	1	
NCP1117ST33T3		IC2	SOT223_M	VOLT REG_ LD11 17S3	1	
STM32F070CxP		IC3	TSOP65P6 40X110_HS-20N	STM 32F0 70Cx P	1	
Res2	Resistor	JMP3	0603	Res2	1	10k
Res2	Resistor	R9, R10	0603	Res2	2	22E
Res2	Resistor	R11	0603	Res2	1	220R
USBLC6-2P6		TVS1	SOT23127 P600-8N	USBL C6- 2P6	1	
1308875	USB 1.1, Right Angle, SMT, A Type, Plug, 4 Position, Black	USB1	1470695	1470 695- 3	1	
XTAL	Crystal Oscillator	Y1	ABMM2	XTAL	1	