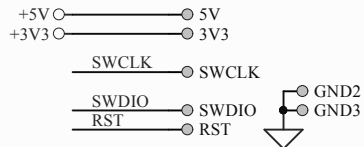
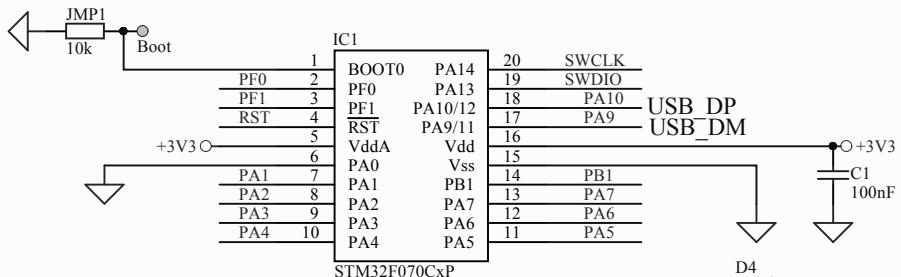


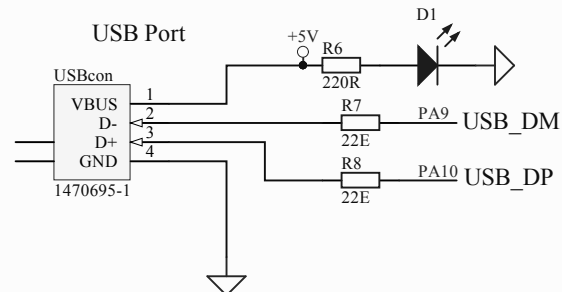
SWD interface



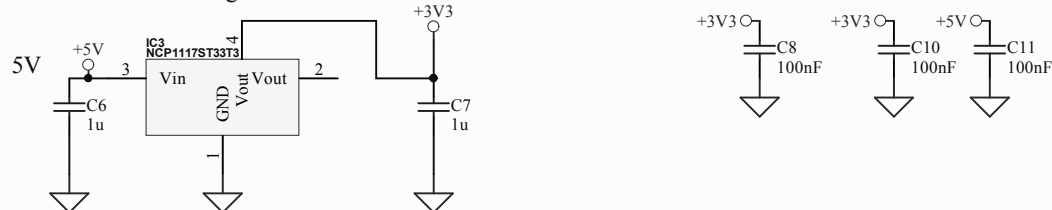
Microcontroller



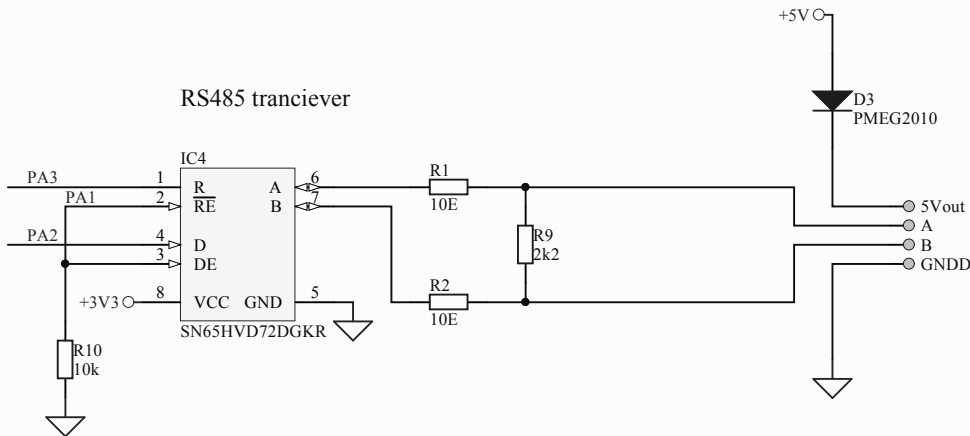
USB Port



3.3V Regulator



RS485 transceiver



Comment	Description	Designator	Footprint	LibRef	Quantity	Value
		3V3, 5V, 5Vout, A, B, Boot, GND2, GND3, GNDD, RST, SWCLK, SWDIO	En_pin_TP	En_pin	12	
	Capacitor	C1, C8, C10, C11	0603	Cap	4	100nF
1u	Capacitor	C6, C7	0603	Cap	2	
LED3	Typical BLUE SiC LED	D1, D4, D5	0603	LED3	3	
PMEG2010	1 Amp General Purpose Rectifier	D3	SOD323	Diode 1N4007	1	
STM32F070CxP		IC1	TSOP65P640X110_HS-20N	STM32F070CxP	1	
NCP1117ST33T3		IC3	SOT223_M3	VOLT REG_LD1117S33	1	
SN65HVD72DGKR	Extended Common-mode RS-485 Transceiver, 25 Mbps, 5 V, Half Duplex, -40 to 85 degC, 8-pin PDIP (P), Pb-Free (RoHS)	IC4	DGK8_L	SN65HVD20PE4	1	
Res2	Resistor	JMP1, R10	0603	Res2	2	10k
Res2	Resistor	R1, R2	0603	Res2	2	10E
Res2	Resistor	R6, R11, R12	0603	Res2	3	220R
Res2	Resistor	R7, R8	0603	Res2	2	22E
Res2	Resistor	R9	0603	Res2	1	2k2
1470695-1	USB 1.1, Right Angle, SMT, A Type, Plug, 4 Pos	USBcon	1470695	14706	1	