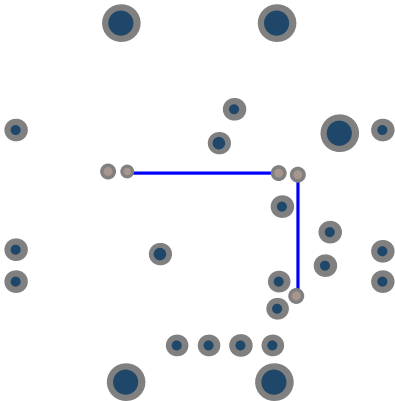
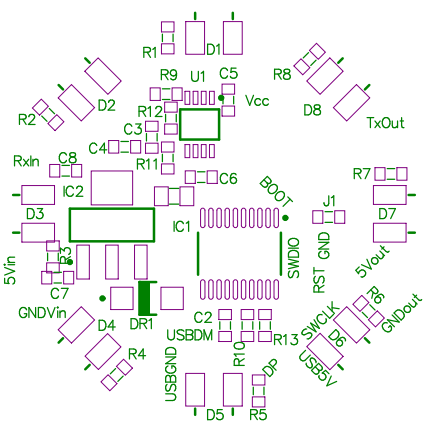
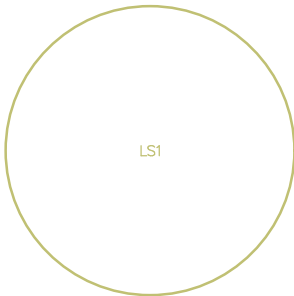
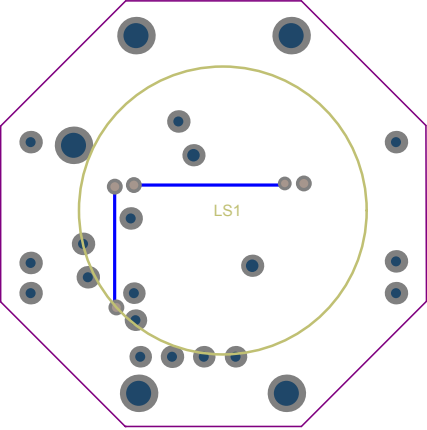


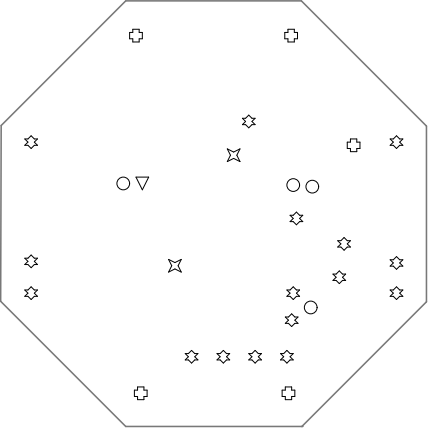
S54MTB

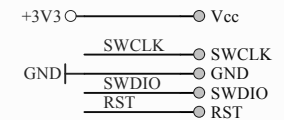
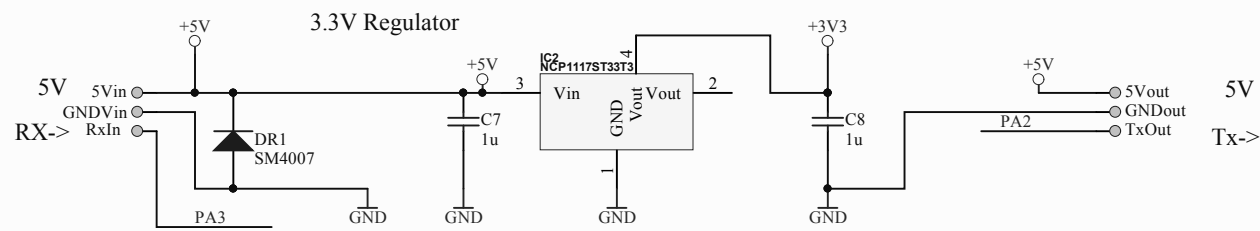
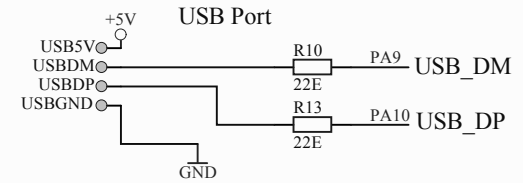
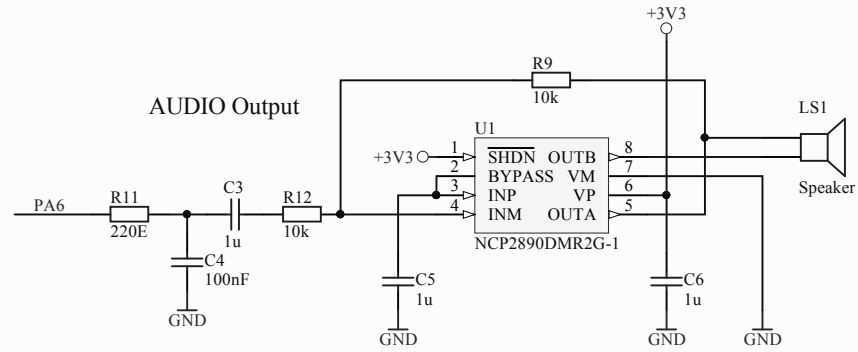
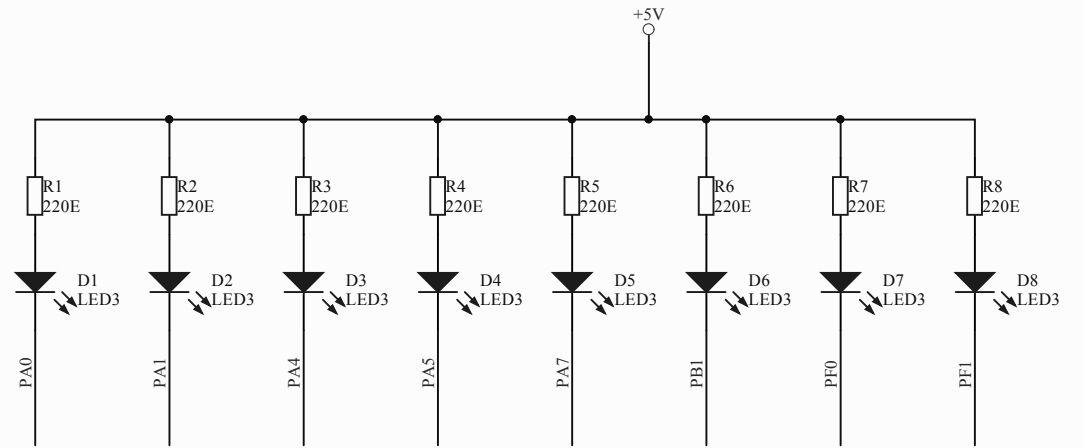
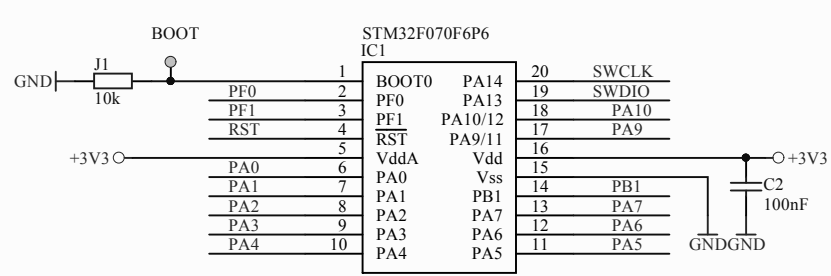












Title		
Size	Number	Revision
A4		
Date:	24.11.2016	Sheet of
File:	D:\work\LED Okrasek.SchDoc	Drawn By:

Comment	Description	Designator	Footprint	LibRef	Quantity	Value
		5Vin, 5Vout, BOOT, GND, GNDout, GNDVin, RST, RxIn, SWCLK, SWDIO, TxOut, USB5V, USBDM, USBDP, USBGND, Vcc	En_pin_TP	En_pin	16	
	Capacitor	C2	0603	Cap	1	100nF
1u	Capacitor	C3, C5, C6, C7, C8	0603	Cap	5	
100nF	Capacitor	C4	0603	Cap	1	
LED3	Typical BLUE SiC LED	D1, D2, D3, D4, D5, D6, D7, D8	LED5mmL eze	LED3	8	
SM4007	1 Amp General Purpose Rectifier	DR1	ONSC-SMA-2-403D-02_F_V	Diode 1N4007	1	
STM32F070CxP		IC1	TSOP65P6 40X110_HS-20N	STM32F070CxP	1	
NCP1117ST33T3		IC2	SOT223_M	VOLT REG_LD1117S3	1	
Res2	Resistor	J1, R9, R12	0603	Res2	3	10k
Speaker	Loudspeaker	LS1	AT-2308	Speaker	1	
Res2	Resistor	R1, R2, R3, R4, R5, R6, R7, R8, R11	0603	Res2	9	220E
Res2	Resistor	R10, R13	0603	Res2	2	22E
NCP2890DMR2G-1	1.0 W Audio Power Amplifier, -40 to 85 degC, 8	U1	ONSC-MIC	NCP2	1	