

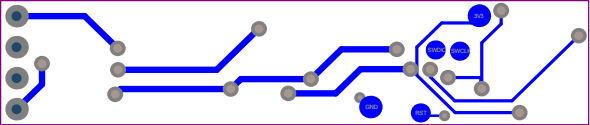
END

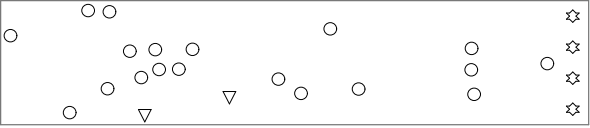
REST

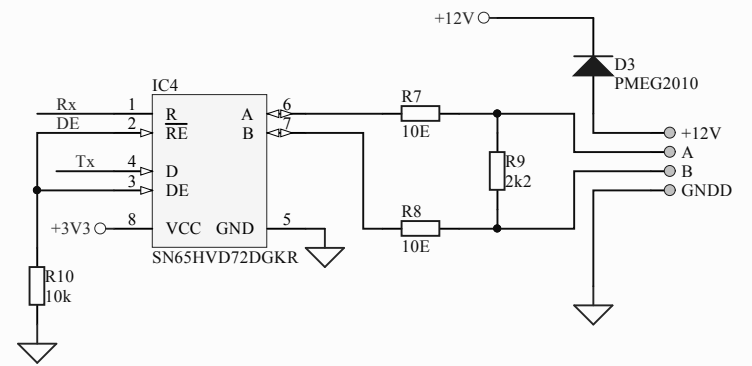
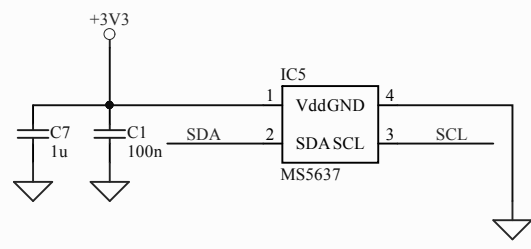
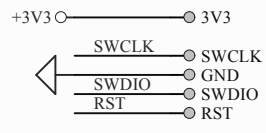
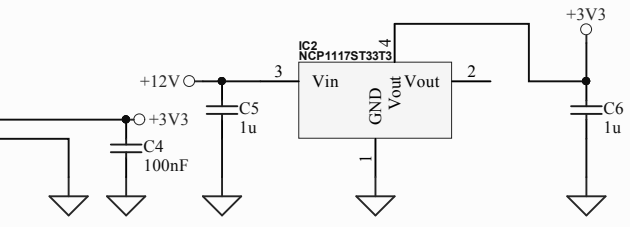
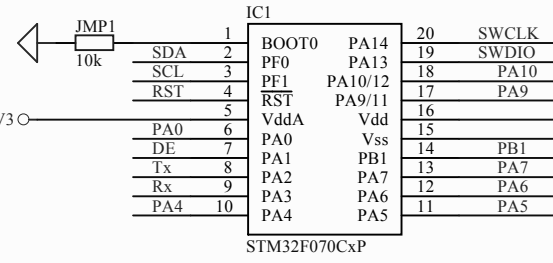
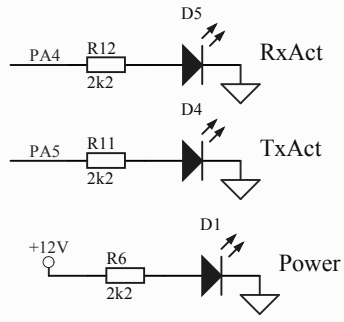
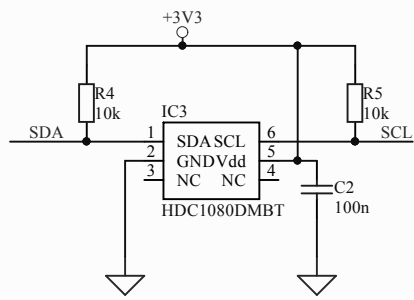
SWOOP

CRACKLE

JAZZ







Title		
Size A4	Number	Revision
Date:	10.2.2017	Sheet of
File:	D:\work\...\Sens001-rhtp.SchDoc	Drawn By:

Comment	Description	Designator	Footprint	LibRef	Quantity	Value
		+12V, 3V3, A, B, GND, GNDD, RST, SWCLK, SWDIO	En_pin_TP	En_pin	9	
Res2	Resistor	ADR0, ADR1, ADR2	0603	Res2	3	10E
C0603	Ceramic Chip Capacitor - Standard	C1, C2	0603	C0603	2	100n
	Capacitor	C4	0603	Cap	1	100nF
1u	Capacitor	C5, C6, C7	0603	Cap	3	
LED3	Typical BLUE SiC LED	D1, D4, D5	0603	LED3	3	
PMEG2010	1 Amp General Purpose Rectifier	D3	SOD323	Diode 1N4007	1	
STM32F070CxP		IC1	TSOP65P6 40X110_HS- S-20N	STM32F070CxP	1	
NCP1117ST33T3		IC2	SOT223_M	VOLT REG_ LD11 17S33	1	
HDC1080DMBT	HDC1080 Sensor vlage in temperature	IC3	SON100P3 00X80_HS- 7M	HDC1080DMBT	1	
SN65HVD72DGKR	Extended Common-mode RS-485 Transceiver, 25 Mbps, 5 V, Half Duplex, -40 to 85 degC, 8-pin PDIP (P), Pb-Free (RoHS)	IC4	SO8_L	SN65HVD20PE4	1	
MS5637	Baro sensor	IC5	MS5637	MS5637	1	
Res2	Resistor, 2k2, 2k2, Resistor	JMP1, R4, R5, R10	0603	Res2	4	10k
Res2	Resistor	R6, R9, R11, R12	0603	Res2	4	2k2
Res2	Resistor	R7, R8	0603	Res2	2	10E