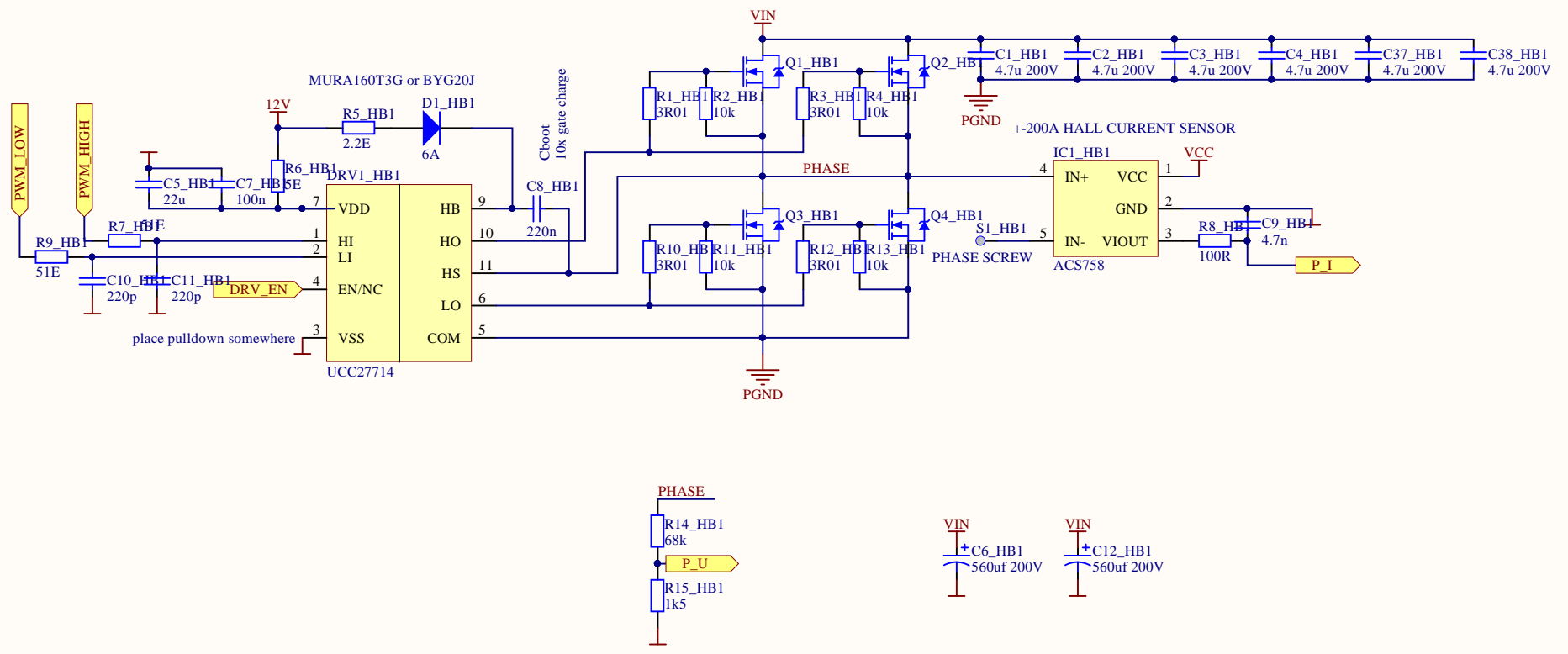


Title		
Size	Number	Revision
A4		
Date:	1.11.2018	Sheet of
File:	A:\Documents\ev\BESC\besc sch.SchDoc Drawn By:	



Title			BESC DRIVE		
Size	Number	Revision		INIT	
A4					
Date:	1.11.2018	Sheet	of		
File:	A:\Documents\..\besc drive sch.SchDoc	Drawn By:			

A

B

C

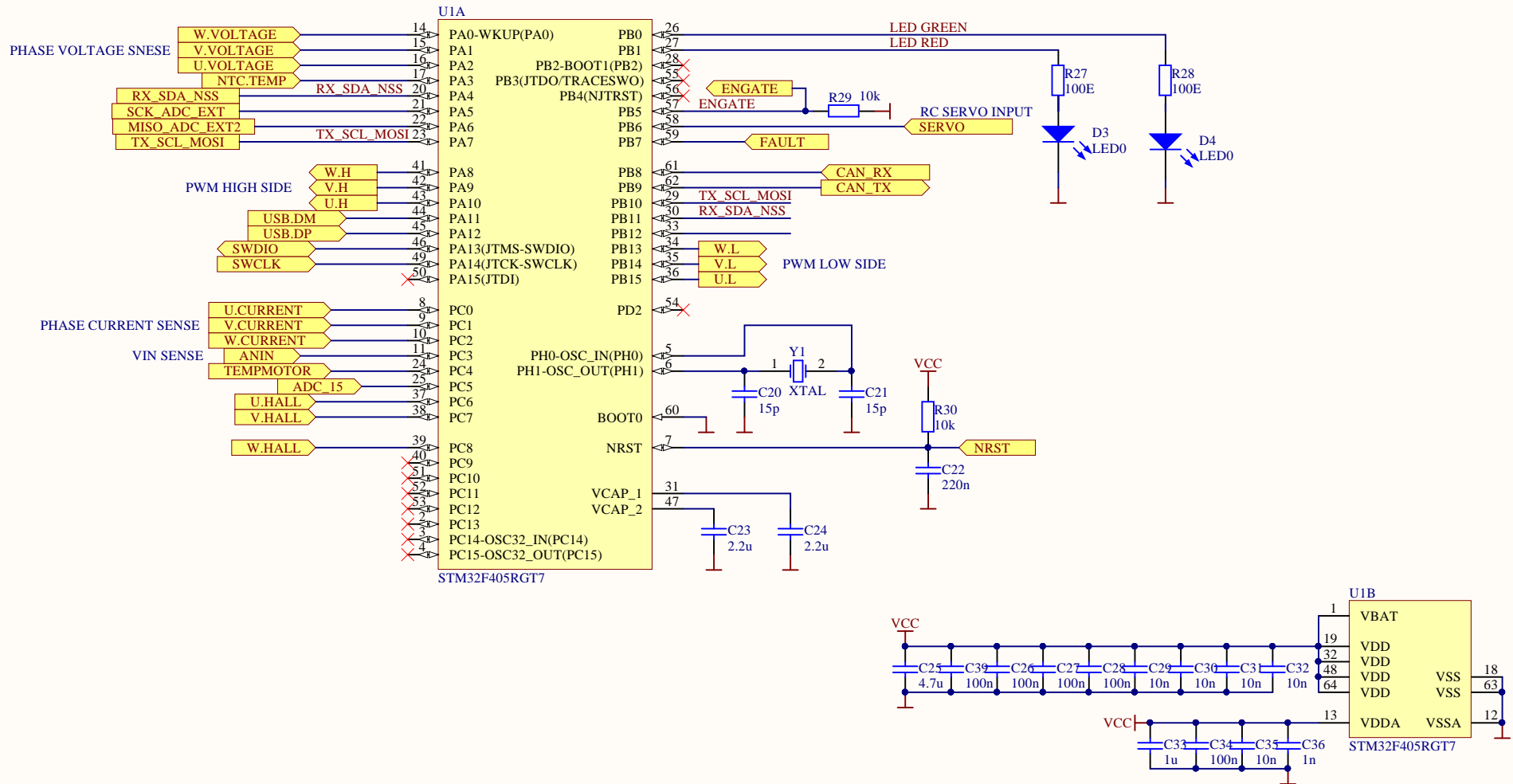
D

A

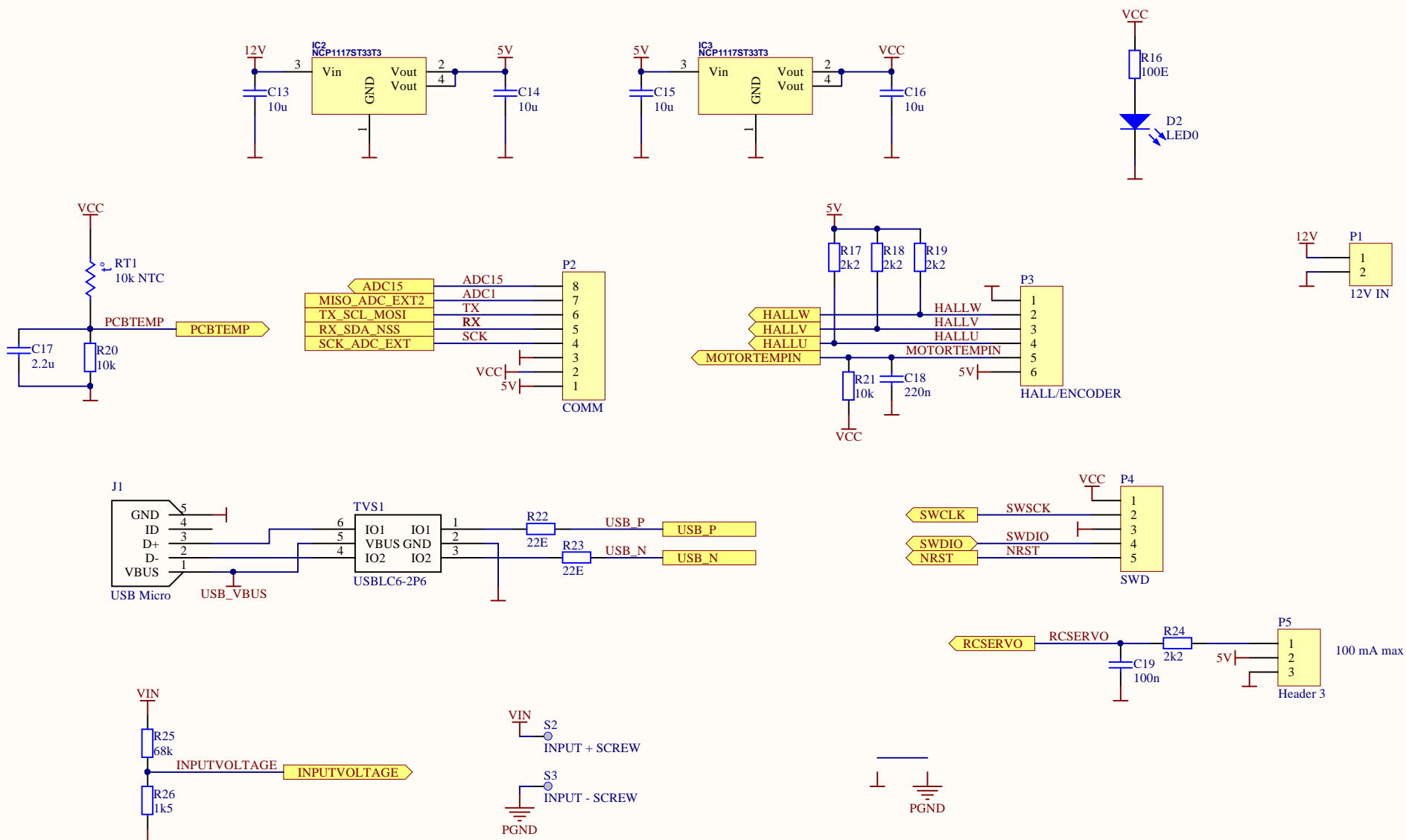
B

C

D



Title				BESC MCU			
Size	Number		Revision		Sheet		of
A4			INIT				
Date:	1.11.2018			Sheet	of		
File:	A:\Documents\...\besc mcu sch.SchDoc			Drawn By:			



Title			BESec IO / POWER MANAGEMENT		
Size	Number		Revision		
A4			INIT		
Date:	1.11.2018		Sheet	of	
File:	A:\Documents\..\besec io pm sch.SchDoc		Drawn By:		

1

2

3

4

1

2

3

4