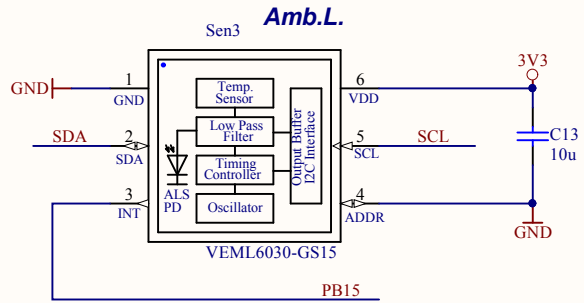
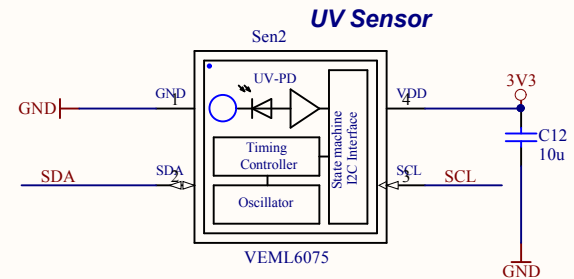
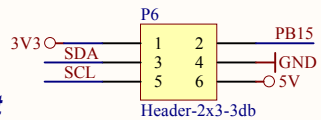


UV
AMB.Light



Title		
Size A4	Number	Revision
Date: 19.11.2018	Sheet of	
File: D:\work\uv-idx.SchDoc	Drawn By:	